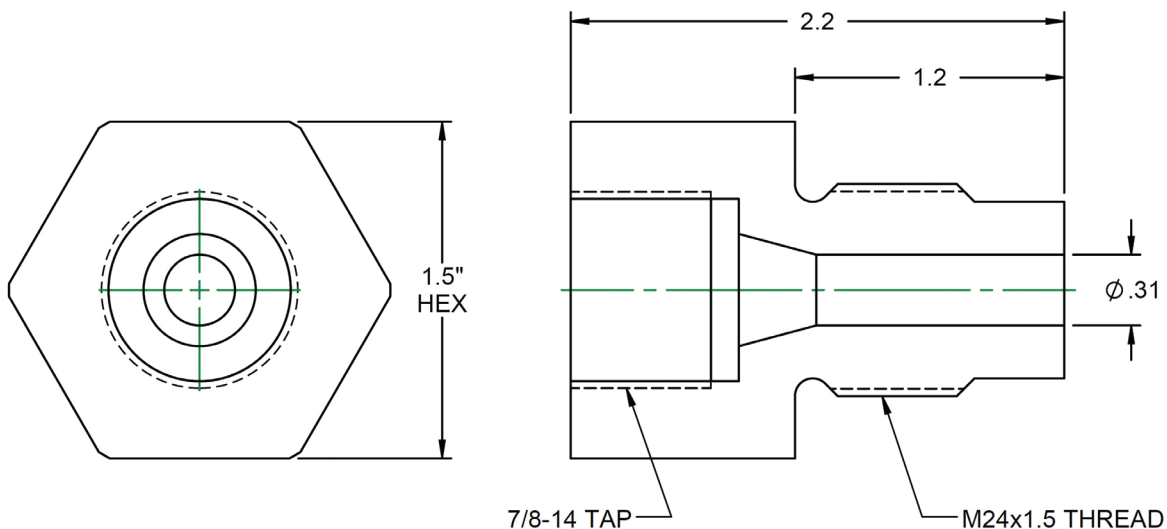


# ARBURG NOZZLE TIP CONVERSION ADAPTOR

The PCS Company Arburg Nozzle Tip Conversion Adaptor allows you to use lower cost nozzle tips with 7/8"-14 threads in place of costly Arburg tips. Choose from a variety of nozzle tips such as general purpose, nylon, full tape and E Universal with 7/8"-14 threads and utilize them when M24 X 1.5mm threads are required. The conversion adaptor only adds 1 inch to the assembled length and does not require an additional heater.

## Features:

- Material: 4140
- 34-36 HRC
- .315 Rear Opening
- Adds only 1" to the overall assembled length
- Reduce replacement nozzle tip costs
- Allows for a variety of nozzle tips
- Made in USA



Item Number	Female Thread	Male Thread	Rear Opening
ARNA24	7/8"-14	M24 X 1.5MM	.315"